

Programming and usage instructions adaptive module ZWMA

Contents

1 Safety rules.....	1
2 Description of ZWMA module	3
3 Installation of ZWMA module	4
4 Module programming	5
4.1 Associating adaptive module to the Z-Wave network (LEARN MODE function).....	6
4.2 Associating device with ZWMA module (ASSOCIATE function).....	7
4.3 Device deleting from ZWMA adaptive module (DELETE function)	8
4.4 Return to default settings of the ZWMA adaptive module (DEFAULT function).....	9
4.5 Removing the ZWMA adaptive module from the network.....	9
4.6 Additional functions.....	10
4.6.1 Configuring the Z-Wave network using the ZWMA adaptive module (INCLUDE function).....	10
4.6.2 Excluding a device from the Z-Wave network using the ZWMA adaptive module (EXCLUDE function)	11
5 Exemplary configuration of electrical accessories with the ZWMA module.....	12
6 Technical parameters.....	13
7 LED signalling of digital inputs.....	13
8 WARRANTY.....	14

1 Safety rules

Read the instructions below carefully before proceeding to device installation so as to avoid electric shock, injury etc.

CAUTION!!!

The ZWMA module is powered by 230V alternating current. Electric shock hazard.

When installing the ZWMA module it is crucial to pay close attention to the following recommendations:

- Installation should be performed by a qualified individual following manufacturer's instructions.
- Connecting the module should be performed with power supply disconnected at all times.
- After unpacking, check module elements for any signs of mechanical damage.
- Before connecting the module, make sure that the power supply voltage corresponds with that provided on the data plate.
- Plastic containers used for packing should be kept out of children's reach as they may be a potential source of hazard.
- The ZWMA module should be used for its intended purpose in agreement with its design. The FAKRO Company shall not be held responsible for any consequences resulting from improper module use.
- Any activities relating to cleaning, adjustment or disassembly of the module should be preceded with its disconnection from the mains.
- The module should not be cleaned using any solvent substances or open stream of water (do not immerse in water).
- Any module repairs should be carried out by the manufacturer authorised service.
- Electric cables supplying electricity to the source of power must have suitable area ($2 \times 1 \text{ mm}^2$). The permissible cable length for the area specified above is 30 m.
- The permissible length of cables plugged into digital inputs is 5 m.
- The ZWMA adaptive module is intended for indoor installation.

2 Description of ZWMA module

ZWMA adaptive module fulfils the function of a controller and enables remote control of electrical accessories compatible with Z-Wave system, e.g. ZWS12 and ZWS230 actuators for operating FAKRO roof windows. The module is equipped with four digital inputs, 3-contact (no.3 *Figure 1*) to which potential-free signals from different external devices are connected, e.g. thermostat, timer, KNX/EIB system, etc. The module can operate up to 231 devices simultaneously or in groups.

“SELECT” button (no. 3 – *Figure 1*) makes it possible to choose one from four channels (no.1 – *Figure 1*) to which devices such as ZWS12, ZWS230 actuators can be assigned. Channels correspond to the digital inputs (no. 8 – *Figure 1*). Devices associated with the channel 1 are operated from the digital input 1, channel 2 - operated from the digital input 2 etc...

ZWMA adaptive module is equipped with a two-way radio communication system Z-Wave, which uses radio frequency of 868,42 MHz.

Module controlling

Devices assigned to the channel are controlled as follows:

close – short (< 0,5s) short-circuit of contact 1-2 or pressing the button “**down**”

open – short (<0,5s) short-circuit of contact 2-3 or pressing the button “**up**”

stop – short-circuit (>1s) of contact 1-2-3

Multilevel mode. Longer short-circuit (>0,5s) of contacts 1-2 or 2-3 will switch on device (open / close) and opening of contacts – (stop).

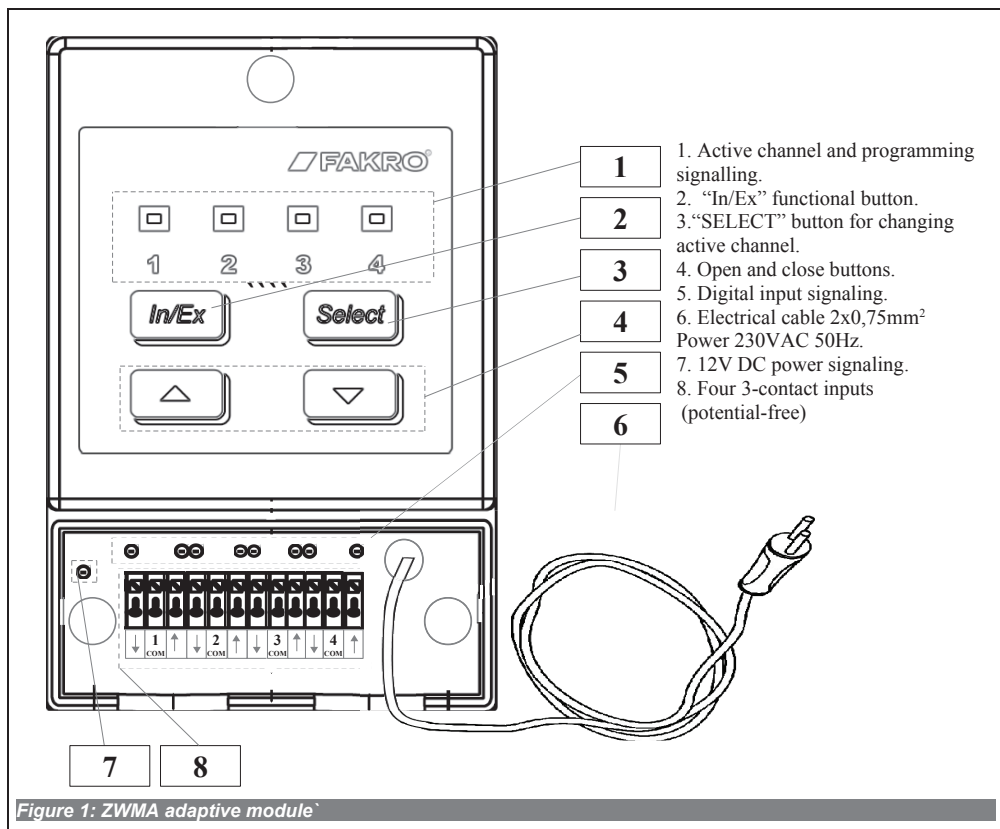


Figure 1: ZWMA adaptive module

3 Installation of ZWMA module

The ZWMA module should be mounted onto a wall or other permanent element of the building by means of screws driven into cylindrical plugs inserted into openings drilled in the wall. In order to install the ZWMA module, it is necessary to:

1. Take off the cover terminal of the casing.
2. Remount casing to the wall using screws.
3. Make all the necessary electric connections.
4. Screw the cover terminal of the casing .

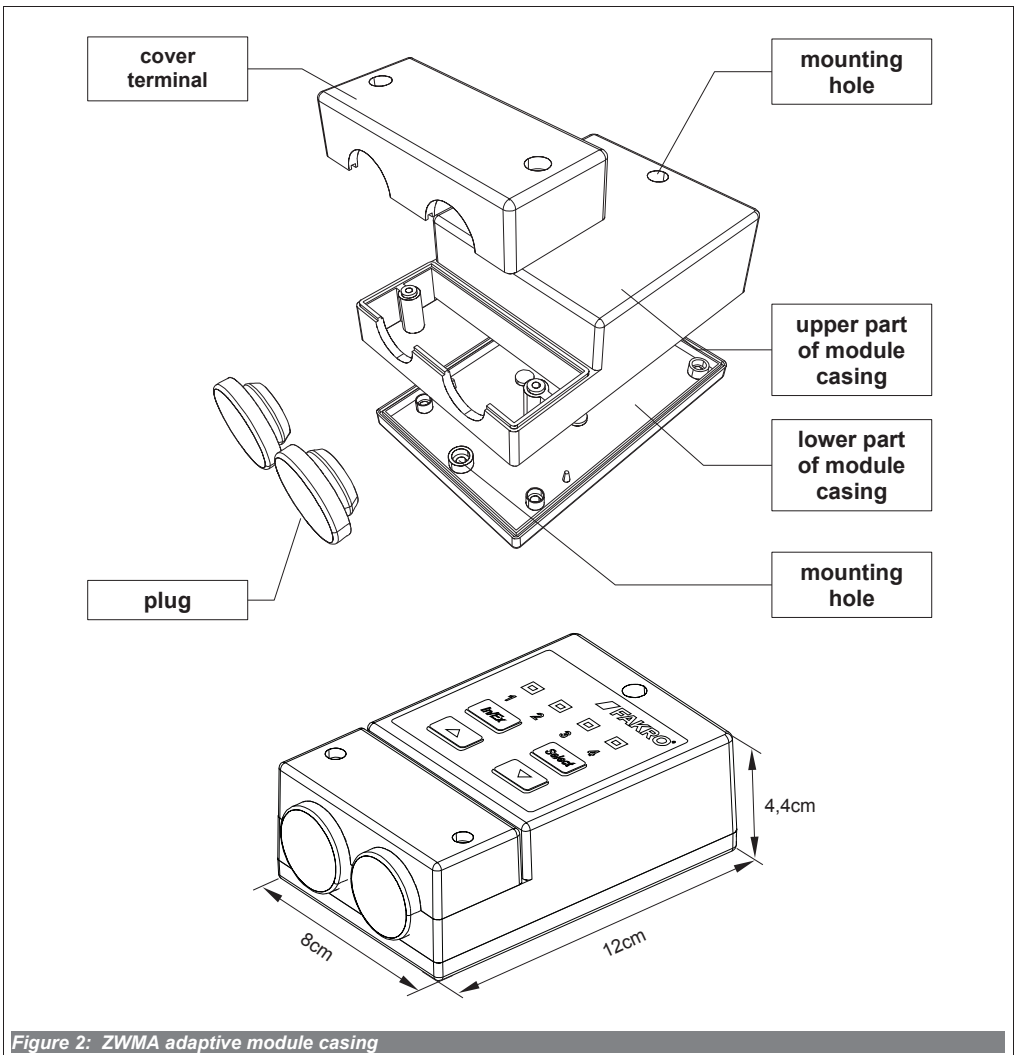


Figure 2: ZWMA adaptive module casing

4 Module programming

In order to operate electric FAKRO accessories equipped with the Z-WAVE system by means of the ZWMA adaptive module, it is necessary to:

1. Add the device to be operated by means of the module to the “Z-Wave” system – see ZWP10 remote control and ZWK10, ZWK1 keyboards manuals, chapter “Adding device to the network (INCLUDE function)” or other controller working in the Z-Wave system. If the device is already operated with one of the controllers, proceed to section 2.
2. Add the module to the Z-Wave network as a SECONDARY controller, chapter 4.1 (LEARN MODE function).

and

3. Associate the device with a selected channel in the module (No. 1, *Figure 1*) specifying the task to be performed by it (chapter 4.2, ASSOCIATE function).

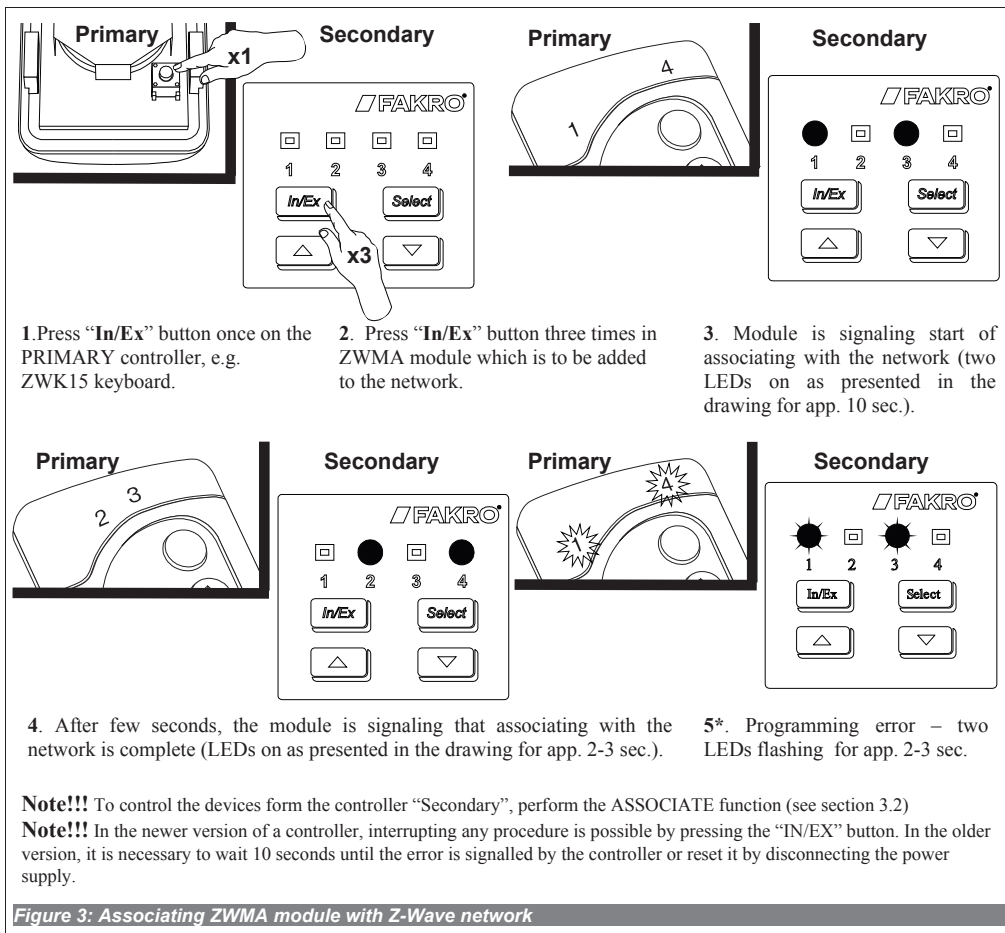
Note!!! Any device which is physically removed from the network (e.g. damaged) should be deleted from the memory of the controller (PRIMARY, SECONDARY), that is first deleted from the pair of buttons (section 3.4) and then removed from the network (section 3.5). The correct implementation of the procedures is to ensure optimal communication between devices. Unplugging the device without removing it from the controller memory will result in a prolonged reaction time to commands and faster depletion of the controller battery. If it is necessary to remove the damaged equipment, whose removal from the controller memory is not possible, it is desirable to reconfigure the whole network (all devices). Start a new network configuration from restoring the controller to the factory settings (DEFAULT function), then call the EXCLUDE function of devices working correctly and continue to the section 3, "Controller Programming".

Note!!! Moving the device within the network (e.g. socket module) it is recommended to delete it from the controller memory (delete it from the pair of buttons first (section 3.4) and then remove from the network (section 3.5) and then add it again after installation in new place of work.

4.1 Associating adaptive module to the Z-Wave network (LEARN MODE function)

Associating the adaptive module (controller) results in its being categorized as SECONDARY. Associating the module with the network consists in sending data to it from PRIMARY controller. The procedure of associating the module with the network is presented in Figure 3. In order to assure the best possible communication within the network and after each its modification (including or removing a device):

- associating another controller with the network should be performed after associating all devices with the first controller (“PRIMARY”),
- or performing LEARN MODE again on the “SECONDARY” controller already associated with the network.



- *) Programming error results from failure to receive any reply from the device which can be caused by:
- failure to enter LEARN MODE in the ZWMA module by pressing the “In/Ex” button three times until the PRIMARY controller is signalling its readiness for adding a new device to the network;
 - long distance between the controller and ZWMA module;
 - the module is associated with another network and it is necessary to carry out the DEFAULT procedure first.

4.2 Associating device with ZWMA module (ASSOCIATE function)

Associating a device with the ZWMA module which has been already added to the Z-Wave network enables operating that device by means of a signal sent to the digital input in the module. The procedure of device associating is presented in Figure 4.

1. Using “SELECT” button choose a channel through which the device is to be operated.

2. Within 1 sec., press:
- “In/Ex” button once and then
- “↑” or “↓” buttons

3. Module is signalling its readiness for associating the device with a selected channel (three diodes on for 10 sec.).

4. Press “P” button on the device and hold it for 0.5 sec. (see Device Programming Manual).

5. The module is signaling that the device has been associate successfully (three diodes on for app. 2-3 sec.) In order to check the correctness of device operating proceed to section 4.2.1.

6*. Programming error – LEDs flashing for app. 2-3 sec.

Note!!! In the newer version of a controller, interrupting any procedure is possible by pressing the “IN/EX” button. In the older version, it is necessary to wait 10 seconds until the error is signalled by the controller or reset it by disconnecting the power supply.

Figure 4: Device associating with selected input In ZWMA module

- *) Programming error results from failure to receive any reply form the device and may be caused by:
- failure to press programming button within 10 seconds from the moment module is signalling its readiness for associating a new device with a selected channel;
 - long distance between the module and device being added;
 - the device already belonging to the network other the module with which it is associated. It is necessary to associate the module with the same network in which the device operates.

4.3 Device deleting from ZWMA adaptive module (DELETE function)

This function removes from the module's memory the device which has been associated with a selected channel. It does not remove the device from the "Z-Wave" network. The procedure of deleting the device from a given channel is presented in *Figure 5*.

1. Using "SELECT" button choose a channel in the ZWMA module, through which the device to be deleted is operated.

2. Within 1.5 sec., press:
- "In/Ex" button twice and
- "▲" or "▼" button.

3. The module is signalling readiness for device deleting (three LEDs on for 10 sec.).

4. Press "P" button on the device and hold it for 0.5 sec. (see Device Programming Manual)

5. The module is signaling that the device has been deleted successfully (three LEDs on for app. 2-3 sec.).

6*. Programming error – LEDs flashing for app. 2-3 sec.).

Note!!! In the newer version of a controller, interrupting any procedure is possible by pressing the "IN/EX" button. In the older version, it is necessary to wait 10 seconds until the error is signalled by the controller or reset it by disconnecting the power supply

Figure 5: Device deleting from ZWMA module channel

*) Programming error results from failure to receive any reply from the device and may be caused by:

- failure to press the programming button within 10 seconds from the module signalling its readiness to delete the device;
- long distance between the module and device being deleted;
- the device belonging to network other than module.

Note!!! Any device which is physically removed from the network (e.g. damaged) should be deleted from the memory of the controller (PRIMARY, SECONDARY), that is first deleted from the pair of buttons (section 3.4) and then removed from the network (section 3.5). The correct implementation of the procedures is to ensure optimal communication between devices. Unplugging the device without removing it from the controller memory will result in a prolonged reaction time to commands and faster depletion of the controller battery. If it is necessary to remove the damaged equipment, whose removal from the controller memory is not possible, it is desirable to reconfigure the whole network (all devices). Start a new network configuration from restoring the controller to the factory settings (DEFAULT function), then call the EXCLUDE function of devices working correctly and continue to the section 3, "Controller Programming".

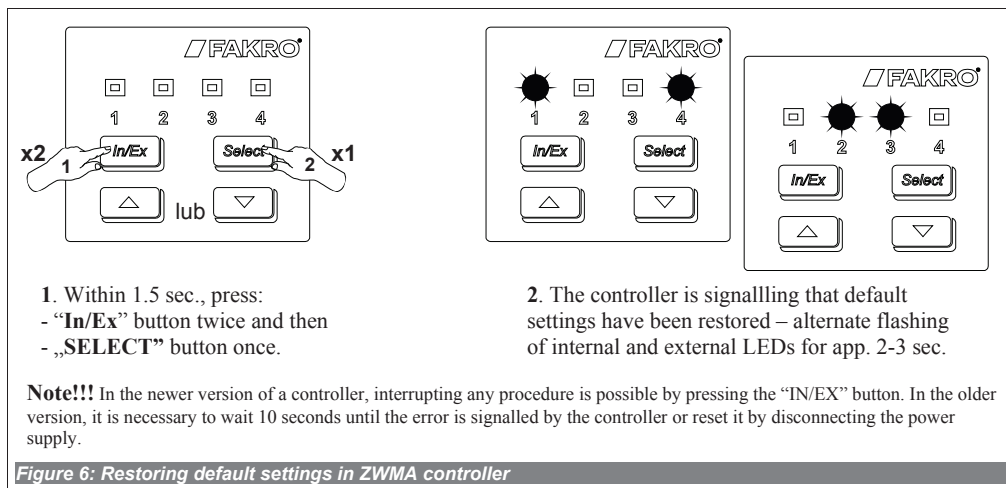
Note!!! Moving the device within the network (e.g. socket module) it is recommended to delete it from the controller memory (delete it from the pair of buttons first (section 3.4) and then remove from the network (section 3.5) and then add it again after installation in new place of work.

4.4 Return to default settings of the ZWMA adaptive module (DEFAULT function)

Restoring default settings of the controller leads to the following information being deleted from its memory:

- network, to which the module has been added;
- devices associated with the ZWMA module.

The procedure of restoring default settings is described in *Figure 6*.



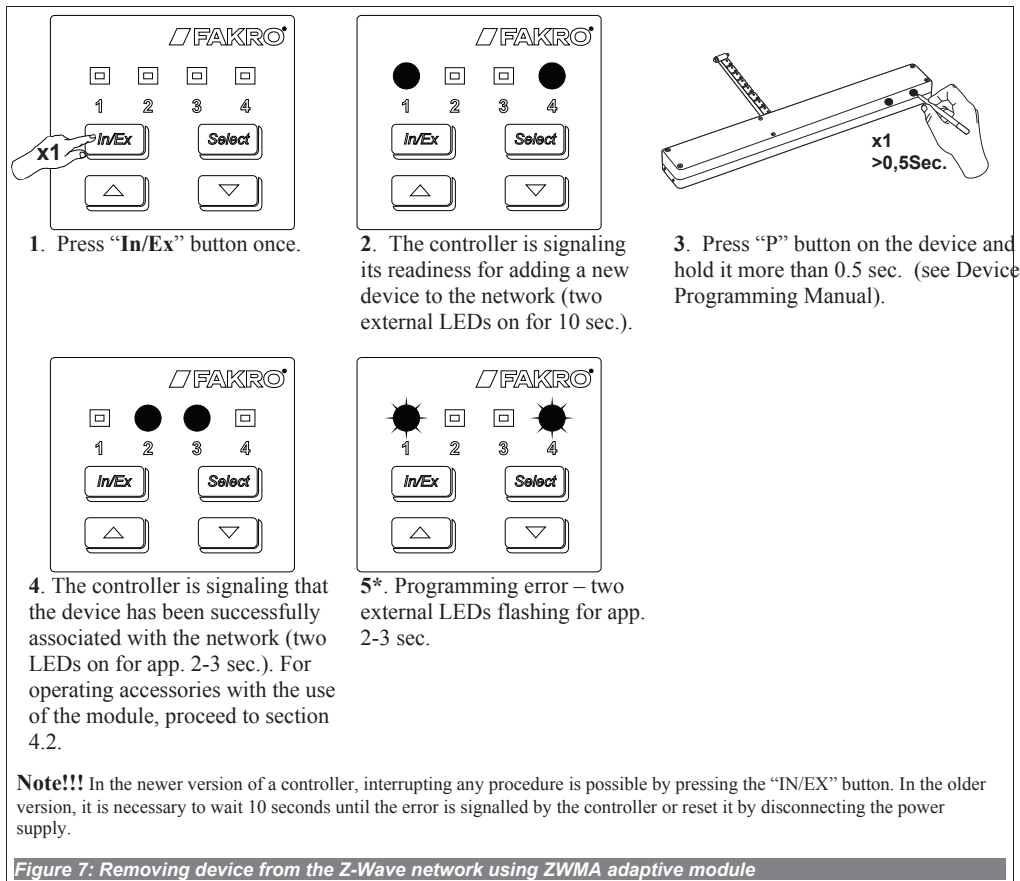
4.5 Removing the ZWMA adaptive module from the network

Removing the ZWMA module from the network consists in restoring default settings in this module.

4.6 Additional functions

4.6.1 Configuring the Z-Wave network using the ZWMA adaptive module (INCLUDE function).

Adding a device to the “Z-Wave” network is possibly only with the use of PRIMARY controller (e.g. keyboard ZWK10, ZWK1, ZWP10, ZWPTV). The ZWMA module should be associated with the network as SECONDARY. However, there is a possibility of programming the module for the network as PRIMARY. The procedure of device adding to the network with the use of the ZWMA module is presented in Figure 7.

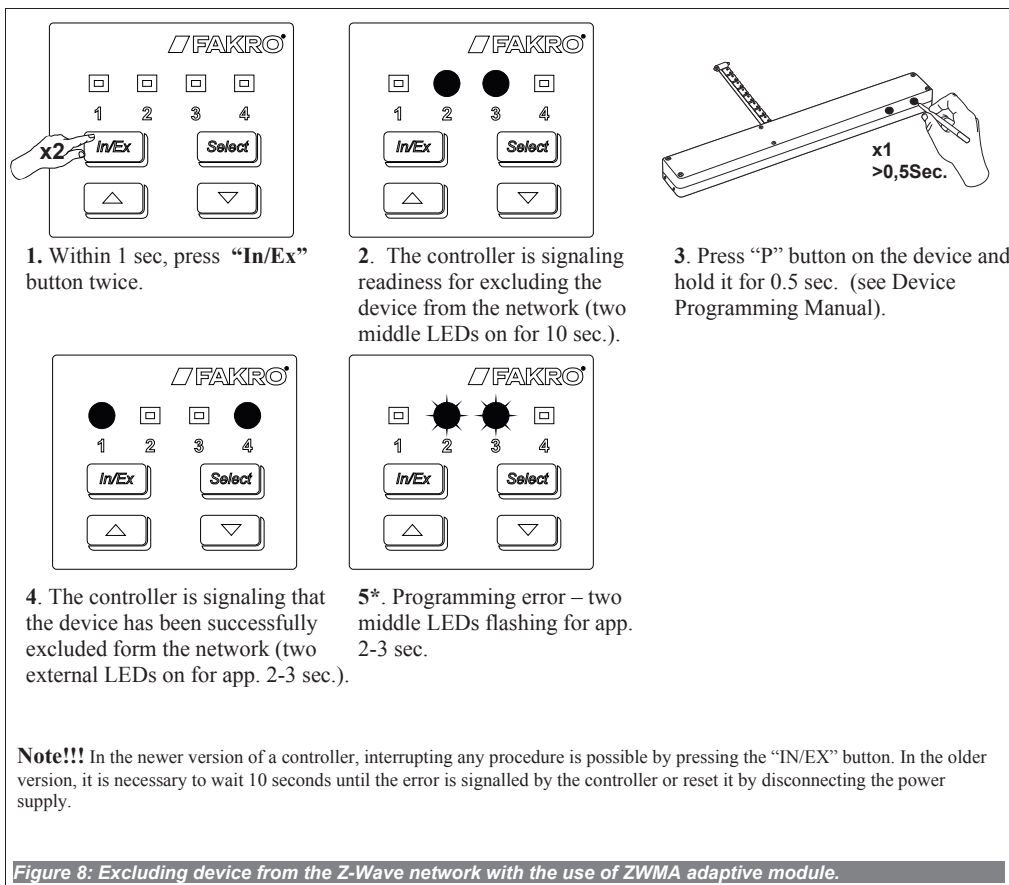


*) Programming error results from the fact of not receiving any response from the device and may be caused by:

- failure to press the programming button within 10 seconds from the module signalling its readiness for adding the device to the network;
- long distance between the module and the device being added;
- the module has been earlier associated with the network as “SECONDARY” – it is necessary to perform DEFAULT procedure.

4.6.2 Excluding a device from the Z-Wave network using the ZWMA adaptive module (EXCLUDE function)

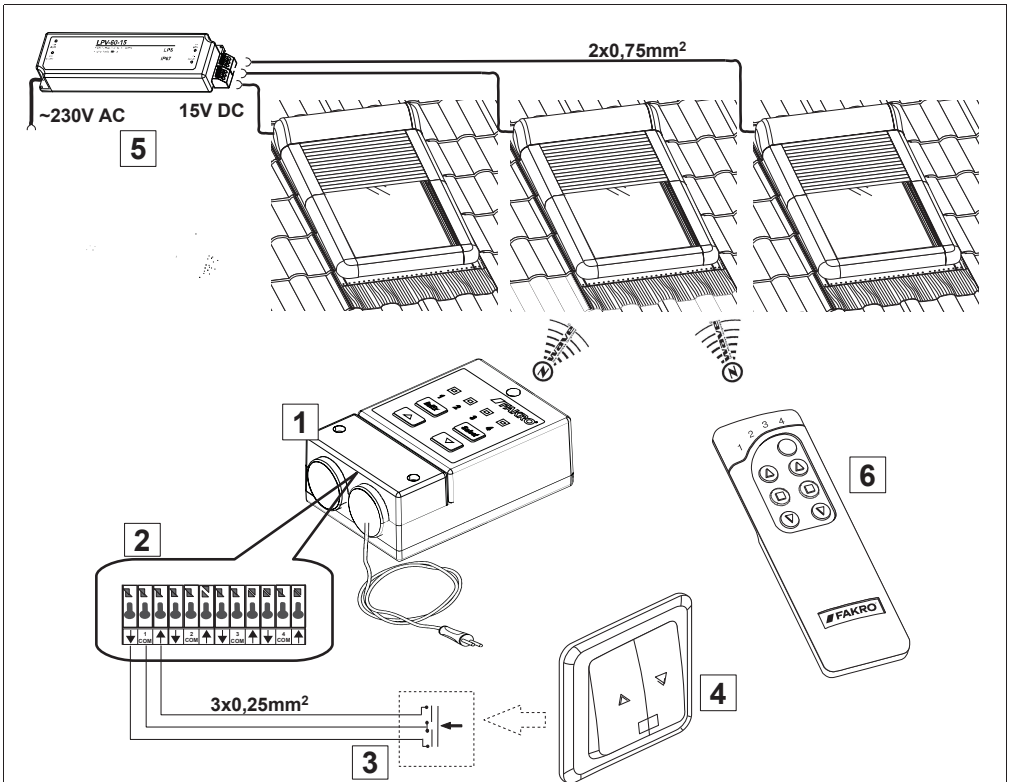
Excluding a device from the “Z-Wave” network is possible only with the use of a PRIMARY controller (e.g. ZWK10, ZWP10, ZWPTV). If the ZWMA module in the Z-Wave network is marked as PRIMARY (network configuration as per section 4.6.1), then devices can be excluded only using that module. The procedure of device excluding from the network with the use of the ZWMA module is presented in Figure 8.



- *) Programming error results from the fact of not receiving any response from the device and may be caused by:
- failure to press the programming button within 10 seconds from the module signalling its readiness to delete the device;
 - the device belonging to network other than module.
 - the device is already assigned to another network or has not been assigned to any network. It is necessary to perform EXCLUDE function on the device and then again perform INCLUDE and ASSOCIATE functions.

5 Exemplary configuration of electrical accessories with the ZWMA module.

Blinds were connected to 15VDC (5) power supply and with the use of Primary (6) controller added to the Z-Wave network. In order to control the blind with the switch (4), also ZWMA module (1) was added to the same Z-Wave network with the use of LEARN MODE function (see section 4.1 of the manual) as a Secondary controller. Reverse situation is also possible when the ZWMA module is a Primary controller, then using additional controllers within the network is not required. Exemplary blind switch chosen by a client (4) alternately short circuits the proper inputs (here up and down arrows) with appropriate COM input in ZWMA module (as shown in *Figure 9*). Short circuit activates sending appropriate.



1. Adaptive module ZWMA.
2. Four control inputs COM1 COM2 COM3 COM4 to which potential-free signals from different external devices can be connected, e.g. blind switch, rain sensor, thermostat, KNX/EIB system.
3. Short circuit – activation of potential-free input. ZWMA module sends command “close”, “open” or “stop” to the Z-Wave receiver (in this case: ARZ Z-Wave roller shutter).
4. Blind switch.
5. Switched power supply 15 VDC (ZZ60 or ZZ60h) for three electrical accessories.
6. ZWP10 controller (optionally ZWK1, ZWK10, ZWG1 or ZWG3 keyboard).

Figure 9: Adaptive module ZWMA as controller

6 Technical parameters

Technical parameters	
Power	230VAC
Working temperature	(+5°C) to (40°C)
Working range	To 40 [m]
Working frequency	868,42 MHz
Maximum cable length of the device plugged into digital or analogue input	5 m

7 LED signalling of digital inputs

LEDs (*Figure 1*, no. 5) for digital inputs inform about activation of connected controllers..

LED for input:

COM1

- ▲ lights at short-circuit of the contact responsible for sending command **open**
- ▼ lights at short-circuit of the contact responsible for sending command **close**
- ▼▲ light at short-circuits of the contacts responsible for sending command **stop**
COM 2, COM 3 and COM 4 analogously

8 WARRANTY

The manufacturer guarantees correct device functioning. It also undertakes to repair or replace the device if its defects result from material or structural faults. The warranty period is 24 months from the purchase date, fulfilling the following conditions:

- Installation has been performed by an authorised individual, as per manufacturer recommendations.
- Seals remain intact and no unauthorised structural changes have been made.
- The device has been used in accordance with its intended use as per user manual.
- Damage is not a result of improperly made electrical system or atmospheric phenomena.
- The manufacturer is not liable for damage which occurred as a result of improper use or mechanical damage.

In case of failure, the device must be submitted for repair with a Warranty Card. Defects revealed within the warranty period will be removed free of charge no longer than 14 days after accepting the product for repair. Warranty and post-warranty repairs are performed by the manufacturer i.e. FAKRO PP. Sp. z o.o.

Quality certificate:

Device

Model.....

Serial number.....

Seller.....

Address.....

Date of purchase.....

.....
Signature (stamp) of installing person

FAKRO PP Sp. z o.o.

ul. Węgierska 144A

33-300 Nowy Sącz

Polska

www.fakro.com

tel. +48 18 444 0 444

fax. +48 18 444 0 333